

**Use and maintenance instructions**  
**300mm 8W LED Pole Mount Globe - FLED6002**



Outdoor luminaire suitable for installation on Ø60mm poles/brackets

TECHNICAL DETAILS: refer to the product label



Insulation Class II

**IP44** Protection degree against dust ingress, solid particles, moisture

Caution, risk of electrical shock

This product must not be disposed as a normal household waste

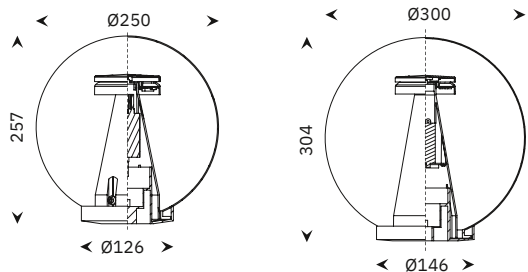
- WARNINGS:**
- THE SAFETY OF THIS PRODUCT IS GUARANTEED ONLY WITH THE RESPECT OF THE EXISTING RULES FOR THE ELECTRICAL SYSTEMS, AND WITH THE APPROPRIATE USE OF THESE INSTALLATION INSTRUCTIONS, THEREFORE IT IS NECESSARY TO KEEP THEM.
  - THE IMPROPER USE OF THIS PRODUCT IS FORBIDDEN; ANY TAMPERING WITH THE PRODUCT OR MODIFICATION OF THE PRODUCT THAT IS NOT AUTHORIZED BY MARECO LUCE CAN CAUSE DAMAGE TO PEOPLE, ANIMALS OR THINGS, AND WILL VOID ANY WARRANTY OR LIABILITY.
  - SWITCH OFF THE ELECTRICITY BEFORE CONDUCTING ANY KIND OF MAINTENANCE.
  - THE PRODUCT MUST BE INSTALLED IN ACCORDANCE WITH BEST PRACTICE.
  - THE LIGHT SOURCE OF THIS PRODUCT IS NOT REPLACEABLE, AND THEREFORE WHEN IT REACHES THE END OF LIFE THE WHOLE LUMINAIRE MUST BE REPLACED.
  - DAMAGED COMPONENTS MUST BE REPLACED WITH MARECOLUCE ORIGINAL SPARE PARTS.
  - THIS PRODUCT IS NOT SUITABLE FOR PUBLIC LIGHTING .

- GENERAL MAINTENANCE RECOMMENDATIONS:**
- CLEAN THE FITTING PERIODICALLY TO REMOVE POSSIBLE DIRT DEPOSITS ON THE DIFFUSER AND IN THE DRAINAGE HOLES (LOCATE THEM BY USING THE INSTALLATION INSTRUCTIONS).
  - CHECK THE TIGHTNESS OF THE SCREW THAT SECURE THE LUMINAIRE TO THE POLE.
  - CHECK THE INTEGRITY OF THE DIFFUSER: REPLACE IT IN CASE OF DAMAGE, BY USING ONLY AN ORIGINAL MARECO LUCE DIFFUSER.
  - DO NOT USE HARSH DETERGENTS TO CLEAN THE DIFFUSER.
  - CHECK THE PLASTIC CASINGS CAREFULLY IN ORDER TO IDENTIFY ANY POSSIBLE INSULATION DAMAGE.

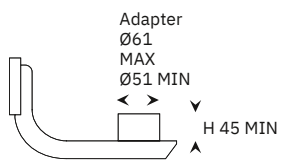
- INSTALLATION INSTRUCTIONS:**
1. Remove the diffuser (1), by turning it 60° anti clock-wise.
  2. Remove the wiring cone and LED module (3) to access to the base (5).
  3. Insert the supply cable (4) into the base (5) and connect the electrical wires to the terminal block (6).

**CAUTION:** use only a flexible double insulation sheath (type HAR). The outer cable diameter must be less than 11mm and the thickness of the inner electrical wires must range between 1 and 2.5mmq.

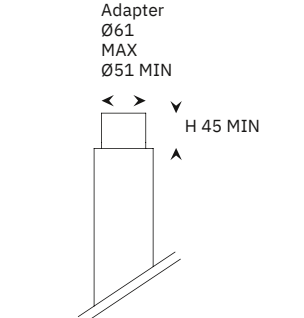
4. Tighten the supply cable (4) through the anchorage (8) by tightening the screw (9).
5. Secure the base (3) to the pole/bracket and connect the driver's conductors (7) coming out of the wiring cone (3) to the terminal block (6).
6. Insert the wiring cone and LED module (3) back into the base (5) and tighten the screw (2) with the relevant dowel to avoid any rotation (only on Sfera LED 300, if necessary).
7. Place the diffuser (1) on the base (5) by turning it 60° clock-wise.



**Installation on brackets**



**Installation on poles**



**SIZES IN MM**

