

Model: **LSL**
Sign and Display Lights
Installation Instructions

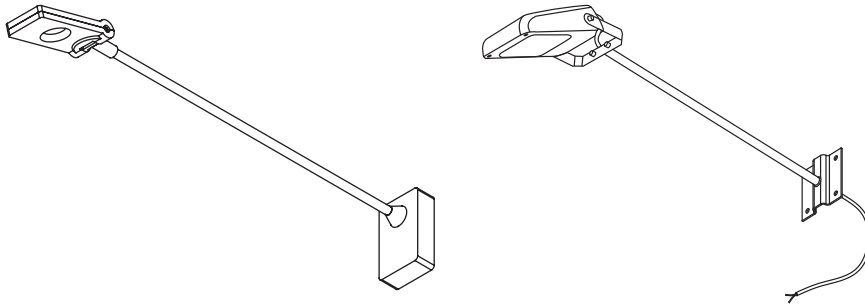


Models LSL141 and LSL222

IMPORTANT: Install using a Registered Electrician.

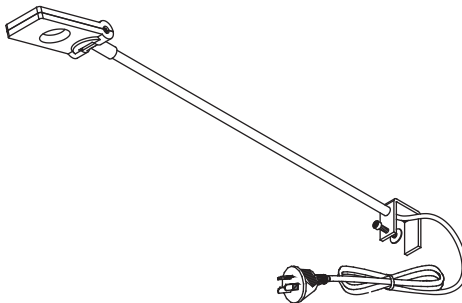
Isolate power supply.

- Mount securely observing distance from lighted objects.
- Where IP rating is required ensure the cable joint is IP rated to outer sheath. This will also help to minimise condensation accumulated inside the fixture.



Model LSL142

- This is not a portable Luminaire, clamp the lighting fixture securely in place.
- If the cord is damaged have it repaired by a qualified person.
- Mount securely observing distance from lighted objects.



CAUTION:

No user serviceable parts inside the Lamp head. Opening the head can destroy or shorten the life of the LED Module due to possible Static Discharge. Warranty will be voided.