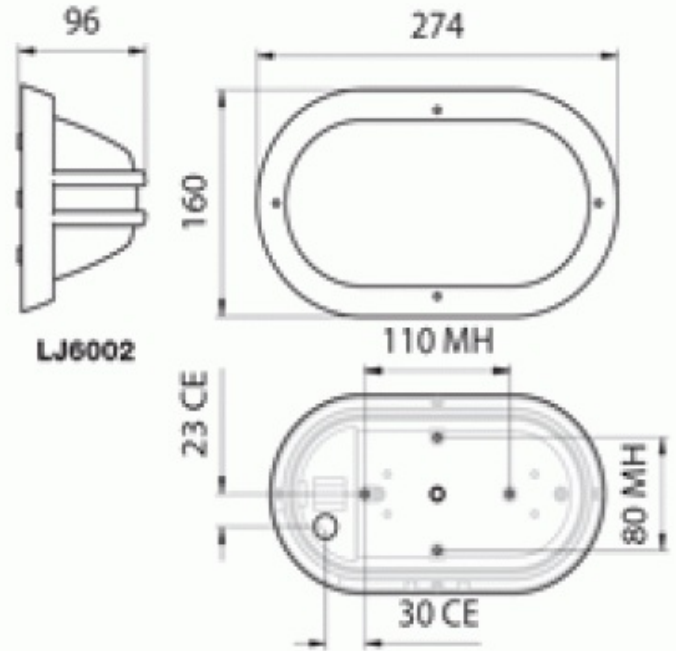


Double Guard LED Bulkhead in Granite

Model: LJL6002-GR



DIMENSIONS	TECHNICAL DATA	FEATURES	SPECIFICATIONS
<ul style="list-style-type: none"> • 274mmL x 160mmH x 96mmD 	<p>Total lumens: 665 Colour temp: 3,000K CRI: 80 Wattage: 10</p>	<ul style="list-style-type: none"> • Granite colour finish. • Proudly made in New Zealand. • New Zealand & Australian registered® designs. • UV stabilised, & supplied with stainless steel screws. • A 10 year Anti-Corrosion guarantee. • A Optional Fluorescent conversion kit is available for this model see link LJKIT-PLC18 Below. • Genuine lexan polycarbonate base and diffuser • Impact resistance rating IK10 	<p>Lamp included: Yes Number of lamps: 1 IP Rating: IP55 Technology field: LED Indoor / Outdoor: Indoor, Outdoor Mounting type: Ceiling, Wall Colour: Charcoal</p>